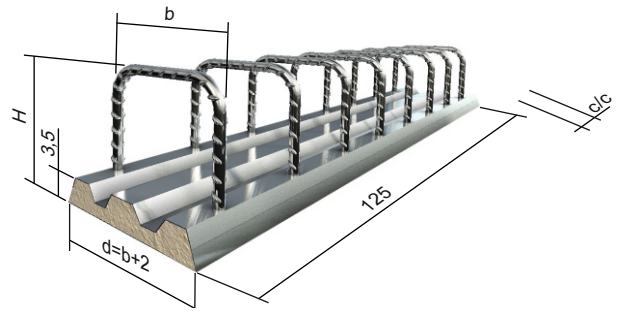


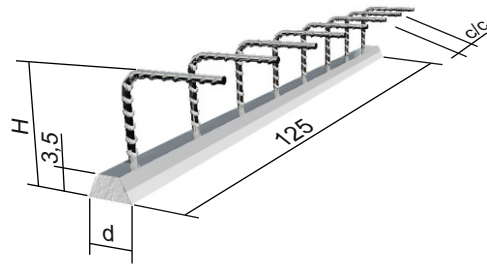
UBOX RSH, RSV & RSH S TYPE

TECHNICAL DATA SHEET

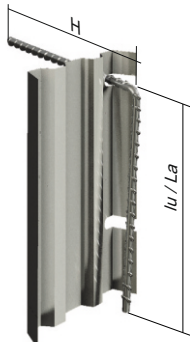
UBOX RSH



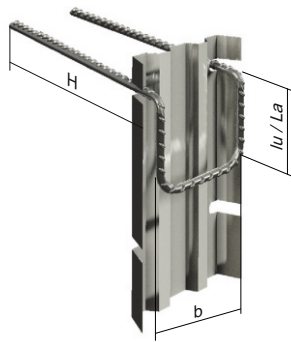
UBOX RSV



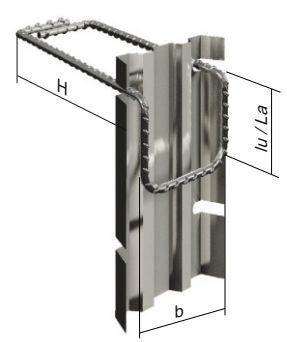
UBOX RSH S TYPE



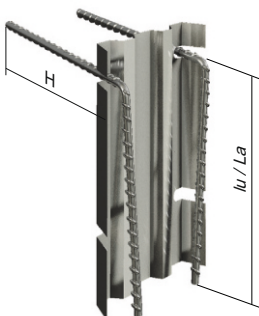
S 1 TYPE



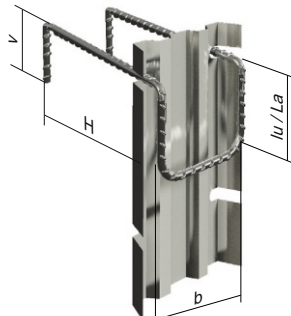
S 2 TYPE



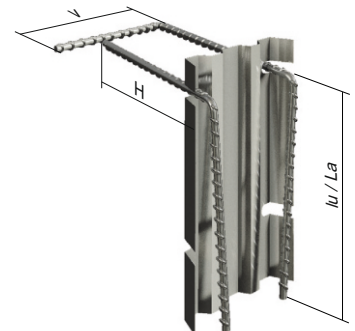
S 3 TYPE



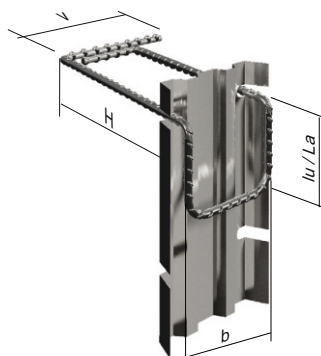
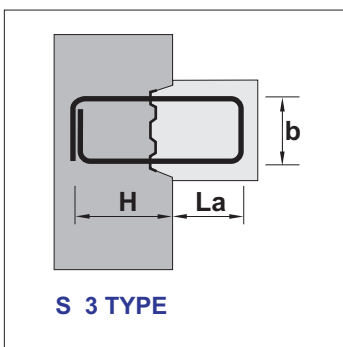
S 4 TYPE



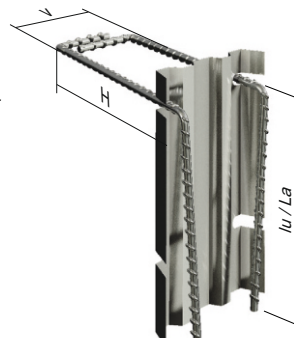
S 5 TYPE



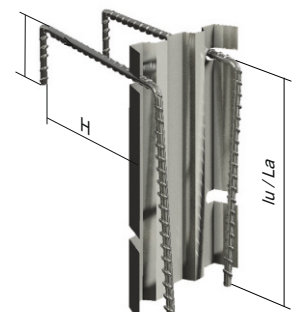
S 6 TYPE



S 7 TYPE

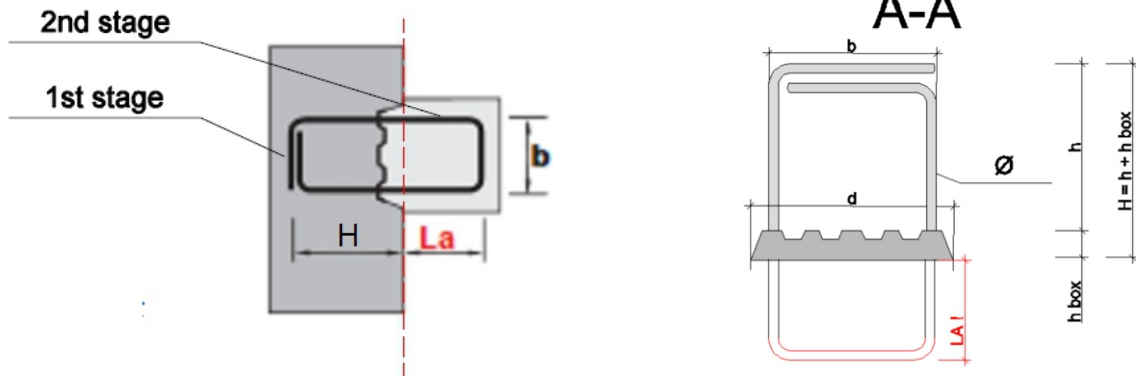


S 8 TYPE



S 9 TYPE

ATTENTION:

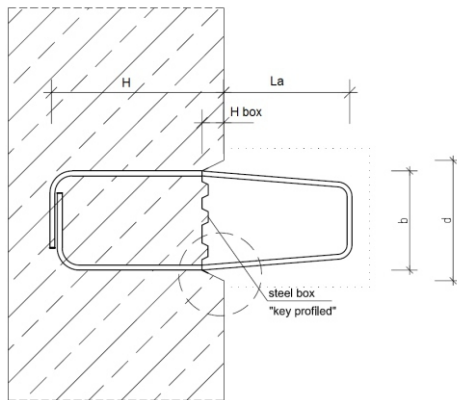


”La” is measured from bottom cover to the end of loop / rebar.

The dimension ”La” have to be clearly given in orders. The note applies to each type of this product.

”H” contains ’h’ of box - it is total height.

NOTE:



In case of **UBOX RSH S TYPE** where La is longer or equal to spacing ($La \geq c/c$) the loops are produced in special shape with standard H box = 35mm.

Steel type: min. B500B
Standard unit length: 1250mm
Standard centres of bars: 150,200mm

No.	Type	Quantity [M]	Bar \emptyset [MM]	Spacing c/c [M]	Width b [M]	Height H [M]	La [MM]	Size v(mm)	Unitlength L(mm)

Note:

Dealer:

Attention:
Element **Ubox Active and Bitumen** is available. Please make a note here when ordering.