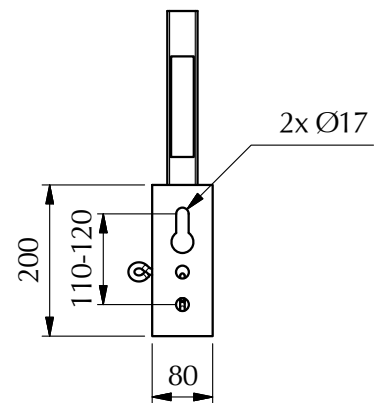
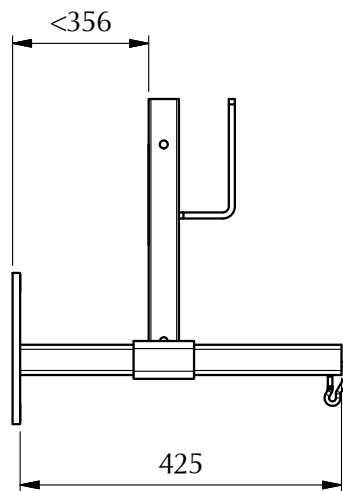
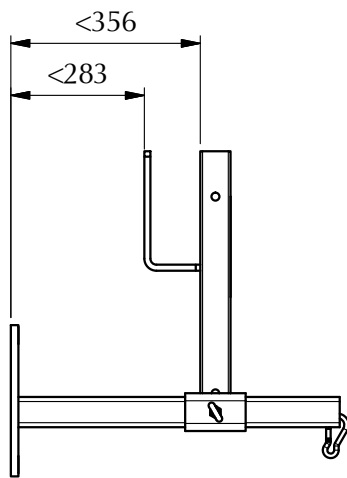
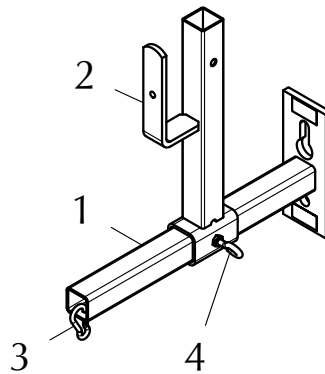


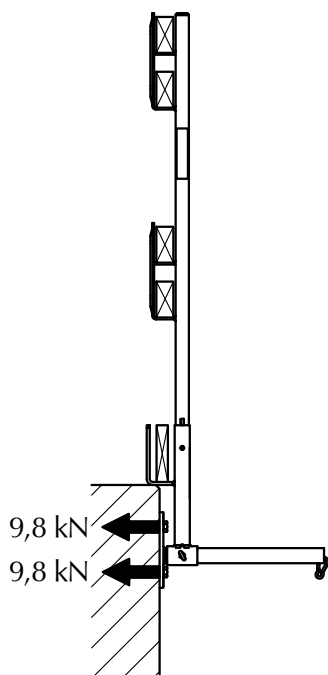
SMB SYSTEM S

4,3 kg
EN 13374-A

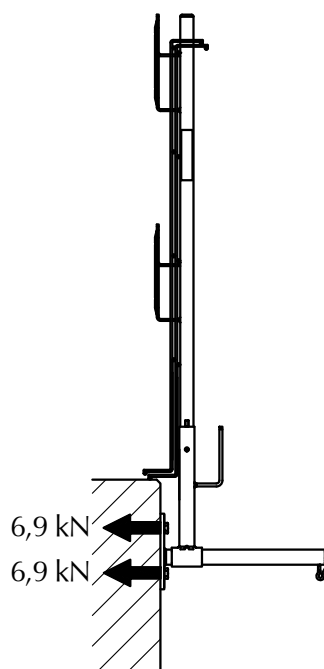
Item	Part number
1	10056
2	10055
3	100029, $\varnothing 6 \times 60$
4	100244, M8 x 20



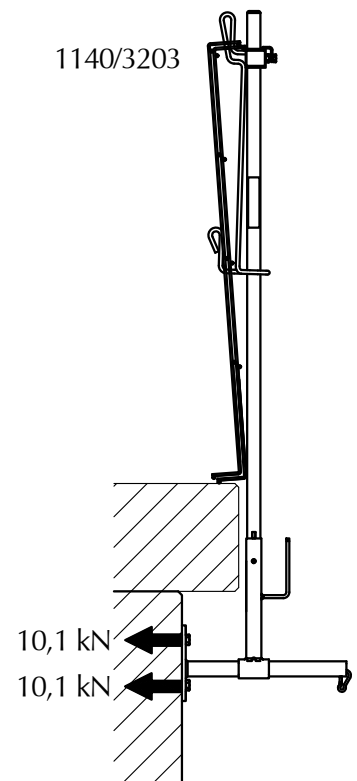
1102/Wooden rails



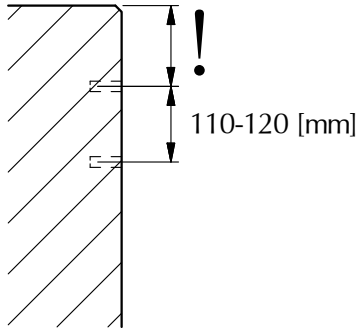
1102/3203



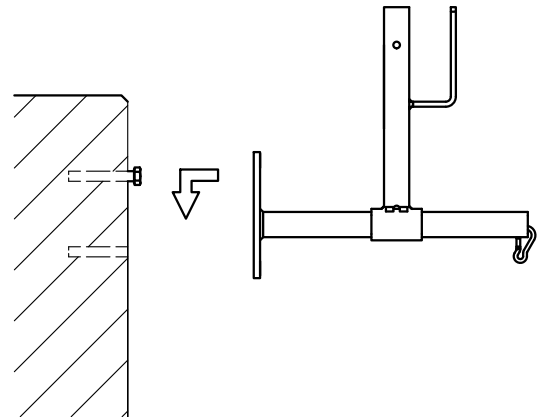
1140/3203



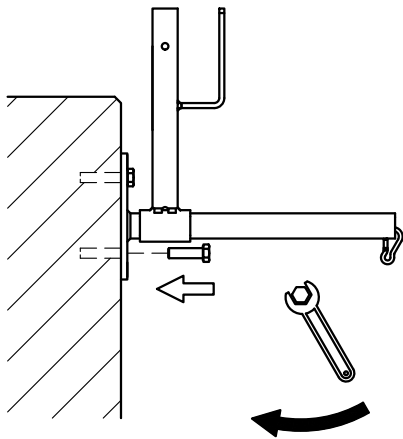
1.



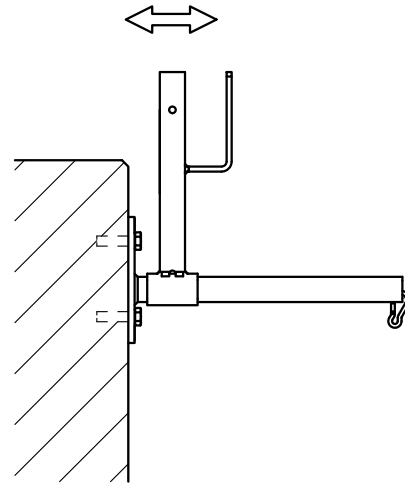
2.



3.



4.



5.

